



Total Power International, Inc.

UNIVERSAL INPUT AC-DC MEDICAL APPLICATION OPEN FRAME SINGLE OUTPUT 63 WATTS INTERNAL SWITCHING POWER SUPPLIES TPMI63 SERIES



FEATURES:

- ACCOMMODATE UNIVERSAL AC SOURCES
- COMPACT 4"x2"x1" PCB FORMAT
- MEET MEDICAL STANDARD EN 60601-1/
UL 2601-1
- EMI MEET EN 55011 & FCC CLASS B
- CE MARKING COMPLIANCE

SPECIFICATION

INPUT SPECIFICATION

Input Voltage: Range typ. 90-264Vac.
Rating 100 to 240Vac.

Input Connector: V-M connector.

Input Frequency: 47-63Hz.

Inrush Current: $\leq 12.0A$ rms cold start @230Vac.

Input Current: Typ. 0.9A@115Vac, 0.435 @230Vac.

Dielectric Withstand: Meet IEC 60601-1.

EMI: Meet EN 55011 & FCC Class B.

Hold-up Time: Typ. 11.2mS @115Vac, 72mS @ 230Vac.

Earth Leakage: Less than 0.1mA @230Vac.

OUTPUT SPECIFICATION

Output Voltage: See Ratings Chart.

Output Current: See Ratings Chart.

Output Connector: V-M connector.

Output Wattage: Typ. 62 watts.

Line Regulation: Typ. 0.1%.

Load Regulation: Typ. $\pm 1.0\%$.

Noise & Ripple: Typ. 1.0% peak to peak.

OVP: Built-in at main output (Latch).

Adjustability: Factory Set.

Overload Protection (OLP):
Fully protected against outputs overload and short circuit.
Typ. OLP set at 105-120% of rating output power.
Consult the factory for OLP setting.

GENERAL SPECIFICATION

Efficiency: Typ. 80-89.5 %. (Various with output voltage).

Switching Frequency: 85KHz.

Circuit Topology: Fixed frequency flyback circuit.

Transient Response: Output voltage returns in less than 0.5mS following a 50% load change.

Safety Standard: Meet Medical standards UL 2601-1/
EN 60601-1 Class I.

Power Density: 7.7Watts / Cubic Inch.

Operating Temperature: 0 to +50 °C under forced air flow for full load. Derate by 1.3W/°C from 40°C to 50°C.

Storage Temperature: -20 to +85°C.

Temperature Coefficient: Typ. 0.04%/°C.

Cooling: At least 5 cfm direct forward air flow is required to achieve full rating power.

Construction: 4"x2"x1" PCB format.

Note: Due to requests in market and advances in technology, specifications subject to change without notification.



For the details of safety approval, please consult the factory.



Total Power International, Inc.

OUTPUT VOLTAGE/CURRENT RATINGS CHART

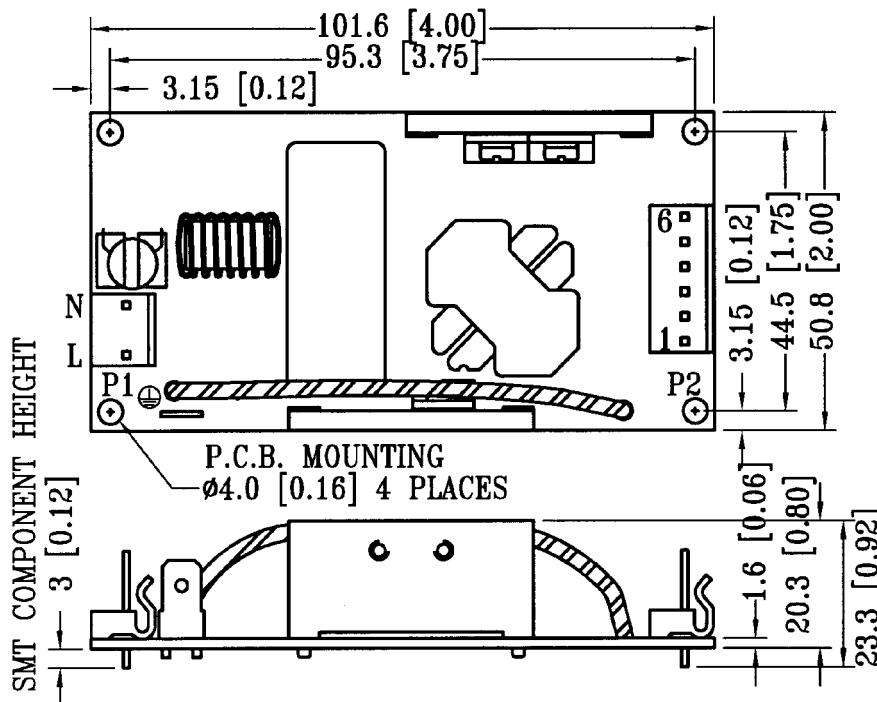
SINGLE OUTPUT

MODEL NO.	MAIN OUTPUT	
	Typ.	Volt.
TPMI63-S120500	5.00A	12.0V
TPMI63-S150400	4.00A	15.0V
TPMI63-S240250	2.50A	24.0V
TPMI63-S480125	1.25A	48.0V

Symbol: "★" OVP built-in.

MECHANICAL DIMENSIONS: MM [INCHES]

WEIGHT: 121g (4.27 Oz.)



INPUT & OUTPUT CONNECTORS PIN ASSIGNMENT

ASSIGNMENT CNTR/PIN#	AC INPUT			SINGLE OUTPUT	
	AC-L	AC-N	AC-G	VO1	DC COM
	P1-L	P1-N	G	P2-1,2	P2-3,4

Mating connector: P1,2 Molex # 5195 or 5239 series.