



Total Power International, Inc.

UNIVERSAL INPUT HARMONIC CORRECTION AC-DC OPEN FRAME AND ACTIVE CURRENT SHARING MULTI-OUTPUT 200 WATTS INTERNAL SWITCHING POWER SUPPLIES TPVP200 SERIES



FEATURES:

- ACCOMMODATE UNIVERSAL AC SOURCES
- MEET IEC 61000-3-2 HARMONIC CORRECTION
- THIRD-WIRE LOADING SHARING
- MEET UNIVERSAL SAFETY STANDARDS
- EMI MEET CISPR PUB.22 CLASS B
- +5V STAND-BY GREEN POWER
- CE MARKING COMPLIANCE

SPECIFICATION

INPUT SPECIFICATION

Input Voltage: Typ. 90-264Vac with PFC.
Input Connector: Molex #5273 V-M connector.
Input Frequency: 47-63Hz.
Inrush Current: Typ. 33A @230Vac.
Input Current: 2.25A @115Vac, 1.0 A@230Vac.
Dielectric Withstand: Meet IEC 60950-1.
EMI: Meet CISPR PUB.22 Class B.
Hold-up Time: 18mS @115Vac & 230Vac.
Power Fail Signal: Installed.
DC OK Signal: Installed in VO1 & VO2.
Power Factor Correction: Meet Harmonic Correction per IEC 61000-3-2 PF typ. 0.97-0.99.
Remote Inhibit: Installed. Enable active high.
Over Temperature Protection: Thermostat @ 95°C.
Earth Leakage: Less than 0.75mA.

OUTPUT SPECIFICATION

Output Voltage: See Ratings Chart.
Output Current: See Ratings Chart.
Output Connector: Molex #5273 V-M connector.
Output Wattage: Convection 150 watts.
 With 30 cfm forced air 200W.
Line Regulation: Typ. 0.1%.
Load Regulation: Main O/P VO1: Typ. ±1.0%.
 Aux. O/P VO2: Typ. ±1.0%. (Magnetic Amp).
 Aux. O/P VO3,4,5: Typ. ±2-3.0%. (P.R.).
Stand-By Green Power: +5V/50mA available.
Noise & Ripple: Typ. 1.0% peak to peak.
OVP: Available at VO1 & VO2.
Remote Sense: Installed in VO1 & VO2.
Adjustability: Available at VO1 & VO2.
Load Sharing: Active current sharing circuit at VO1.
Overload Protection (OLP): Fully protected against output overload and short circuit.
 Consult the factory for OLP setting.

GENERAL SPECIFICATION

Efficiency: Typ. 65-70%.
Switching Frequency: Fixed frequency at 70K Hz.
Circuit Topology: PWM fixed-frequency forward circuit.
Transient Response: Output voltage returns in less than 3mS following a 25% load change.
Safety Standard: UL 60950-1/EN 60950-1 Class I.
Power Density: 3.0 Watts / Cubic Inch.

Operating Temperature: 0 to +50°C under forced air flow for full load.
Storage Temperature: -20 to +85°C.
Temperature Coefficient: Typ. ±0.04%/°C.
Cooling: 30 cfm air flow is required to deliver the full power 200W.
Construction: U-bracket construction format.

Note: Due to requests in market and advances in technology, specifications subject to change without notification.



For the details of safety approval, please consult the factory.



Total Power International, Inc.

OUTPUT VOLTAGE / CURRENT RATINGS CHART

DUAL OUTPUT (Under forced air cooling)

MODEL NO.	MAIN VO1 @★#≡		AUX. +VO2 @★#▲	
	Typ.	Volt.	Typ.	Volt.
TPVP200-20	25.0A	+5.0V	10.0A	+5.0V
TPVP200-21	25.0A	+5.0V	5.0A	+12.0V
TPVP200-22	25.0A	+5.0V	4.0A	+15.0V
TPVP200-23	25.0A	+5.0V	2.5A	+24.0V
TPVP200-290A	25.0A	+5.0V	15.0A	+3.3V
TPVP200-290B	30.0A	+3.3V	15.0A	+5.0V
TPVP200-291	30.0A	+3.3V	5.0A	+12.0V
TPVP200-292	30.0A	+3.3V	4.0A	+15.0V
TPVP200-293	30.0A	+3.3V	2.5A	+24.0V

TRIPLE OUTPUT (Under forced air cooling)

MODEL NO.	MAIN VO1 @★#≡		AUX. VO2 @★#▲		AUX. VO3 ◇■●	
	Typ.	Volt.	Typ.	Volt.	Typ.	Volt.
TPVP200-30	25.0A	+5.0V	4.0A	+12.0V	1.0A	12.0V
TPVP200-31	25.0A	+5.0V	4.0A	+12.0V	2.0A	5.0V
TPVP200-32	25.0A	+5.0V	10.0A	+3.3V	1.0A	12.0V
TPVP200-33	25.0A	+5.0V	10.0A	+3.3V	1.0A	15.0V

QUAD OUTPUT (Under forced air cooling)

MODEL NO.	MAIN VO1 @★#≡		AUX. VO2 @★#▲		AUX. VO3 ◇■●		AUX. VO4 ◇■●	
	Typ.	Volt.	Typ.	Volt.	Typ.	Volt.	Typ.	Volt.
TPVP200-40	20.0A	+5.0V	4.0A	+12.0V	3.0A	12.0V	3.0A	12.0V
TPVP200-41	20.0A	+5.0V	4.0A	+12.0V	3.0A	5.0V	3.0A	5.0V
TPVP200-42	20.0A	+5.0V	2.0A	+24.0V	3.0A	12.0V	3.0A	12.0V
TPVP200-43	20.0A	+5.0V	3.5A	+15.0V	3.0A	12.0V	3.0A	12.0V
TPVP200-490A	20.0A	+5.0V	15.0A	+3.3V	3.0A	12.0V	3.0A	12.0V
TPVP200-490B	20.0A	+3.3V	15.0A	+5.0V	3.0A	12.0V	3.0A	5.0V
TPVP200-491A	20.0A	+5.0V	15.0A	+3.3V	2.5A	15.0V	2.5A	15.0V
TPVP200-491B	20.0A	+3.3V	15.0A	+5.0V	2.5A	15.0V	2.5A	15.0V

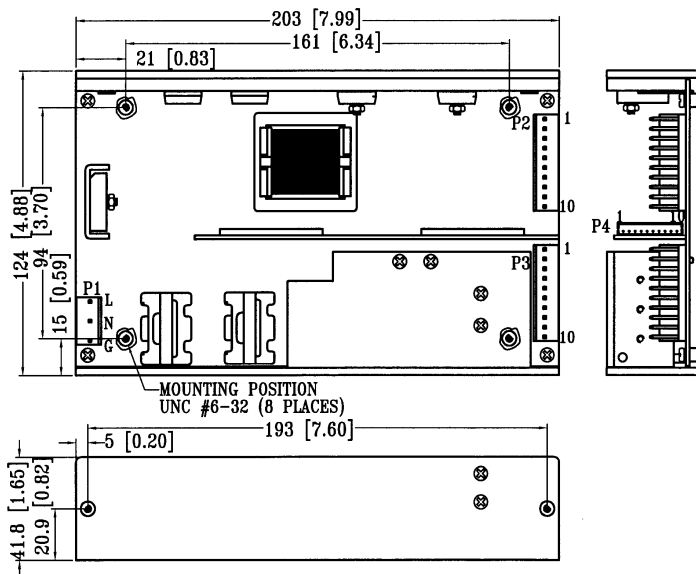
PENTAD OUTPUT (Under forced air cooling)

MODEL NO.	MAIN VO1 @★#≡		AUX. VO2 @★#▲		AUX. VO3 ◇■●		AUX. ◇VO4 ■●		AUX. VO5 ■●	
	Typ.	Volt.	Typ.	Volt.	Typ.	Volt.	Typ.	Volt.	Typ.	Volt.
TPVP200-590	20.0A	+3.3V	12.0A	+5.0V	1.0A	12.0V	1.0A	12.0V	1.0A	+15.0V
TPVP200-591	20.0A	+3.3V	5.0A	+12.0V	1.0A	12.0V	1.0A	12.0V	2.0A	+5.0V
TPVP200-592	20.0A	+3.3V	12.0A	+5.0V	1.0A	15.0V	1.0A	15.0V	1.0A	+12.0V
TPVP200-593	8.0A	+3.3V	5.0A	+12.0V	3.0A	12.0V	3.0A	12.0V	2.0A	+5.0V

Symbol: "★" OVP built-in. "@" Adjustable. "■" Couple filter inductor. "#" Remote sensing. "◇" Floating (or isolated) output.
 "●" Installed with Post Regulator (P.R.). "▲" Installed with magnetic amplifier. "≡" Active current sharing.

MECHANICAL DIMENSIONS: MM [INCHES]

WEIGHT: 1,164.0g (41.0 Oz.)



INPUT & OUTPUT CONNECTORS PIN ASSIGNMENT

ASSIGNMENT	AC INPUT			DUAL/TRIPLE/QUAD/PENTAD OUTPUT								ASSORTED SIGNALS									
	AC-L	AC-N	AC-G	+VO1	DC-COM	VO2	VO5	VO3	VO4	-VO3	-VO4	DC-COM	Enable	Power Fail	DC-OK	+5V S.B.	VO1 +S	VO1 -S	VO1 ≡	VO2 +S	VO2 -S
CNTR & PIN#	P1-L	P1-N	P1-G	P2-1, 2, 3	P2-4, 5, 6, 7	P2-8, 9, 10	P3-1, 2	P3-3, 4	P3-9, 10	P3-5, 6	P3-7, 8	P4-5	P4-3	P4-1	P4-2	P4-4	P4-7	P4-8	P4-6	P4-10	P4-9

Mating connector: P1,2,3 Molex # 5195 or 5239 series.
 P4 Molex # 5264 series or equivalent.